

Gullywasher

STORM WATER MANAGEMENT & EROSION CONTROL PRODUCTS

206/799.3296
jeff@gullywasher.com

Oregon Industrial/Commercial
Contractor CCB #204630

CATCH BASIN INSERT SIZING

PLEASE FILL OUT THIS FORM AND FAX TO (858) 259-4303

Company: _____

Address: _____

City: _____ State: _____ Zip: _____

Consultant: _____

Company Contact: _____

Phone Number: _____ Email Address: _____

Number of Catch Basin Inserts Needed: _____

#1 Catch Basin

ID#: _____

Catch Basin Location: _____

Stormwater Contaminant Concerns

Suspended Solids: _____ Limit (ppb): _____

Oils/Greases: _____ Limit (ppb): _____

Zinc: _____ Limit (ppb): _____

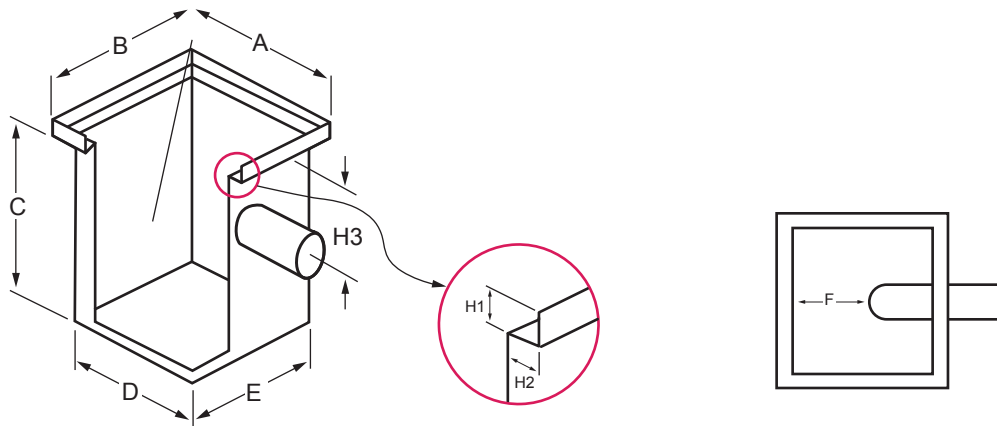
Copper: _____ Limit (ppb): _____

Iron: _____ Limit (ppb): _____

Nutrients: _____ Limit (ppb): _____

Other: _____ Limit (ppb): _____

Catch Basin Measurements



A (Inside Lip Length) _____

B (Inside Lip Width) _____

C (Catch Basin Depth From Inside Lip) _____

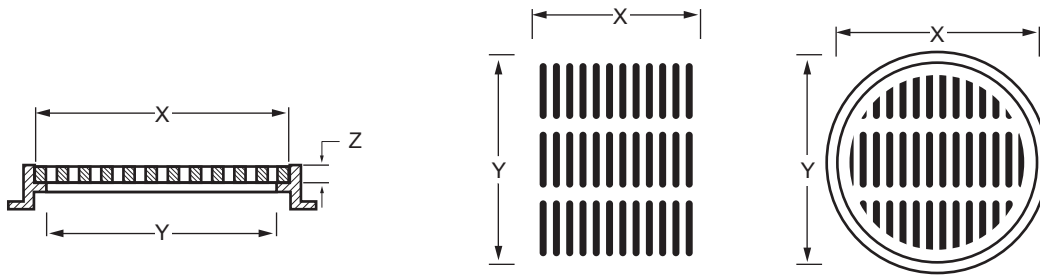
D (Inside Basin Length) _____

E (Inside Basin Width) _____

F (Shortest Basin Clearance) _____

H1 (Inside Lip Height) _____

H2 (Inside Lip Width) _____



Grate Measurements and Characteristics

Bottom: Smooth _____ Ribbed _____ If Ribbed, Provide Drawing Showing Locations of Rib(s) _____
 X-Y (Outside Grate Dimensions) _____ Z (Thickness of Grate) _____
 Check one: Concrete _____ Metal _____ | Corners: Square _____ Bent/Crushed _____
 Grate: Like New _____ Cracked/Broken _____ | Inside Lip Surfaces Clean: Yes _____ No _____
 Ground Around Catch Basin Clean: Yes _____ No _____

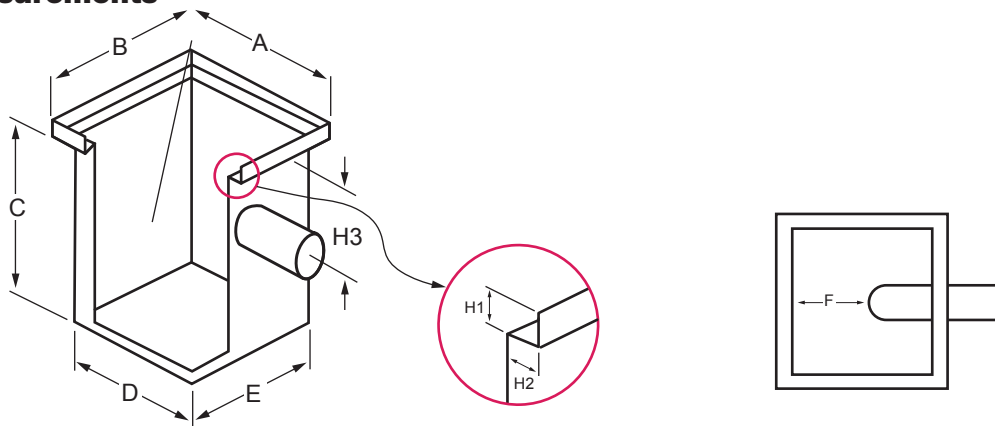
#2 Catch Basin

ID#: _____ Catch Basin Location: _____

Stormwater Contaminate Concerns

Suspended Solids: _____	Limit (ppb): _____
Oils/Greases: _____	Limit (ppb): _____
Zinc: _____	Limit (ppb): _____
Copper: _____	Limit (ppb): _____
Iron: _____	Limit (ppb): _____
Nutrients: _____	Limit (ppb): _____
Other: _____	Limit (ppb): _____

Catch Basin Measurements



A (Inside Lip Length) _____	B (Inside Lip Width) _____
C (Catch Basin Depth From Inside Lip) _____	D (Inside Basin Length) _____
E (Inside Basin Width) _____	F (Shortest Basin Clearance) _____
H1 (Inside Lip Height) _____	H2 (Inside Lip Width) _____

#3 Catch Basin

ID#: _____

Catch Basin Location: _____

Stormwater Contaminant Concerns

Suspended Solids: _____

Limit (ppb): _____

Oils/Greases: _____

Limit (ppb): _____

Zinc: _____

Limit (ppb): _____

Copper: _____

Limit (ppb): _____

Iron: _____

Limit (ppb): _____

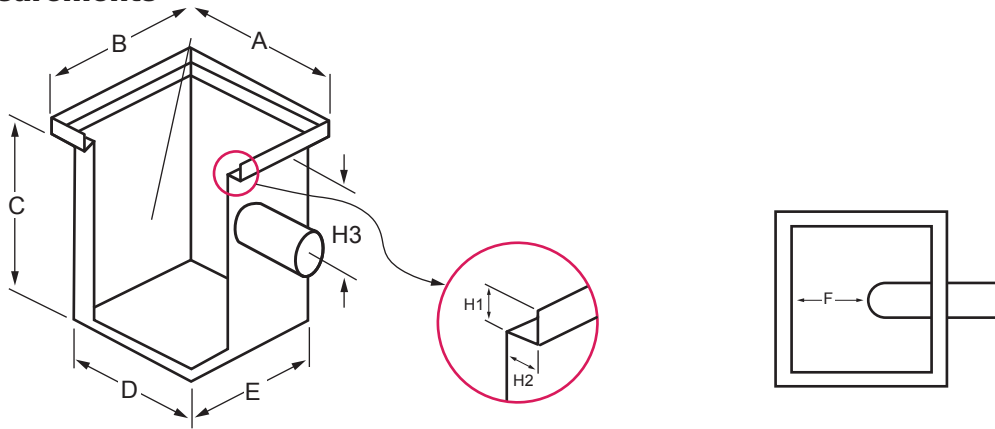
Nutrients: _____

Limit (ppb): _____

Other: _____

Limit (ppb): _____

Catch Basin Measurements



A (Inside Lip Length) _____

B (Inside Lip Width) _____

C (Catch Basin Depth From Inside Lip) _____

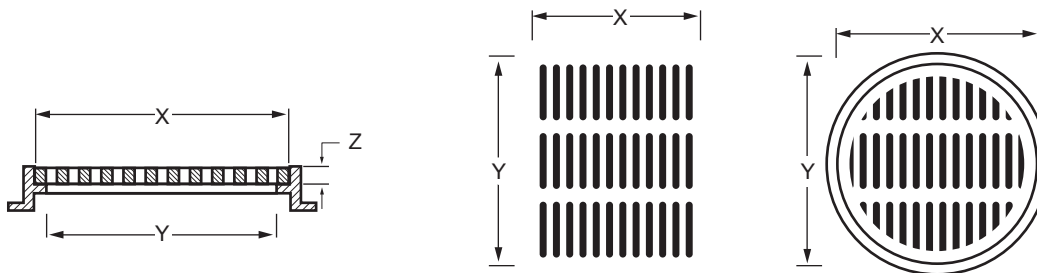
D (Inside Basin Length) _____

E (Inside Basin Width) _____

F (Shortest Basin Clearance) _____

H1 (Inside Lip Height) _____

H2 (Inside Lip Width) _____



Grate Measurements and Characteristics

Bottom: Smooth _____ Ribbed _____ If Ribbed, Provide Drawing Showing Locations of Rib(s)

X-Y (Outside Grate Dimensions) _____ Z (Thickness of Grate) _____

Check one: Concrete _____ Metal _____ | Corners: Square _____ Bent/Crushed _____

Grate: Like New _____ Cracked/Broken _____ | Inside Lip Surfaces Clean: Yes _____ No _____

Ground Around Catch Basin Clean: Yes _____ No _____

#4 Catch Basin

ID#: _____

Catch Basin Location: _____

Stormwater Contaminant Concerns

Suspended Solids: _____

Limit (ppb): _____

Oils/Greases: _____

Limit (ppb): _____

Zinc: _____

Limit (ppb): _____

Copper: _____

Limit (ppb): _____

Iron: _____

Limit (ppb): _____

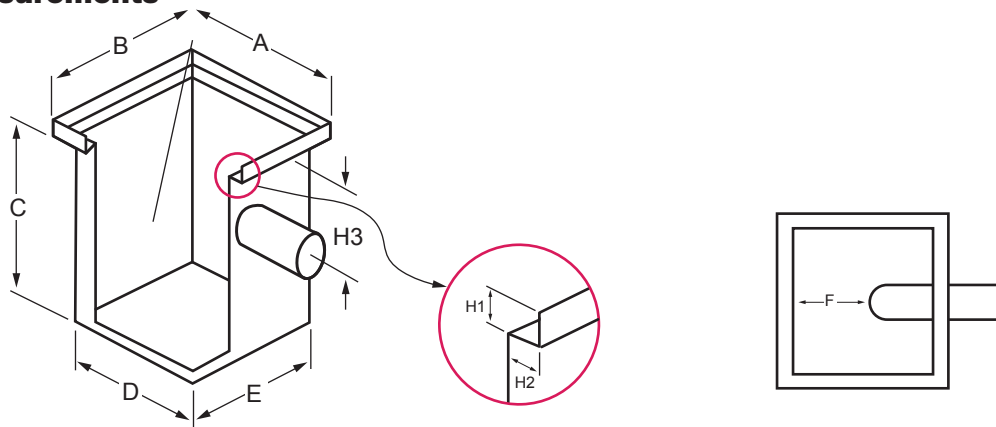
Nutrients: _____

Limit (ppb): _____

Other: _____

Limit (ppb): _____

Catch Basin Measurements



A (Inside Lip Length) _____

B (Inside Lip Width) _____

C (Catch Basin Depth From Inside Lip) _____

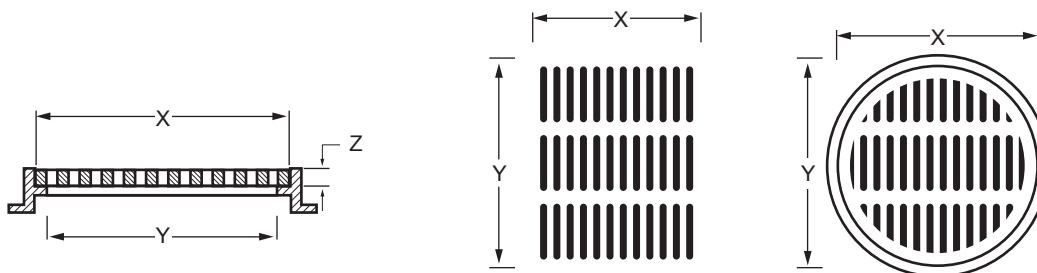
D (Inside Basin Length) _____

E (Inside Basin Width) _____

F (Shortest Basin Clearance) _____

H1 (Inside Lip Height) _____

H2 (Inside Lip Width) _____



Grate Measurements and Characteristics

Bottom: Smooth _____ Ribbed _____ If Ribbed, Provide Drawing Showing Locations of Rib(s)

X-Y (Outside Grate Dimensions) _____ Z (Thickness of Grate) _____

Check one: Concrete _____ Metal _____ | Corners: Square _____ Bent/Crushed _____

Grate: Like New _____ Cracked/Broken _____ | Inside Lip Surfaces Clean: Yes _____ No _____

Ground Around Catch Basin Clean: Yes _____ No _____

#5 Catch Basin

ID#: _____

Catch Basin Location: _____

Stormwater Contaminate Concerns

Suspended Solids: _____

Limit (ppb): _____

Oils/Greases: _____

Limit (ppb): _____

Zinc: _____

Limit (ppb): _____

Copper: _____

Limit (ppb): _____

Iron: _____

Limit (ppb): _____

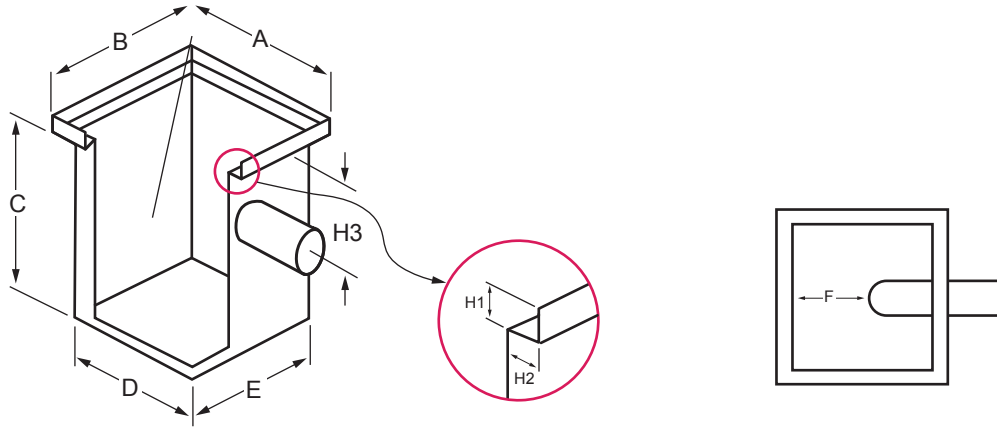
Nutrients: _____

Limit (ppb): _____

Other: _____

Limit (ppb): _____

Catch Basin Measurements



A (Inside Lip Length) _____

B (Inside Lip Width) _____

C (Catch Basin Depth From Inside Lip) _____

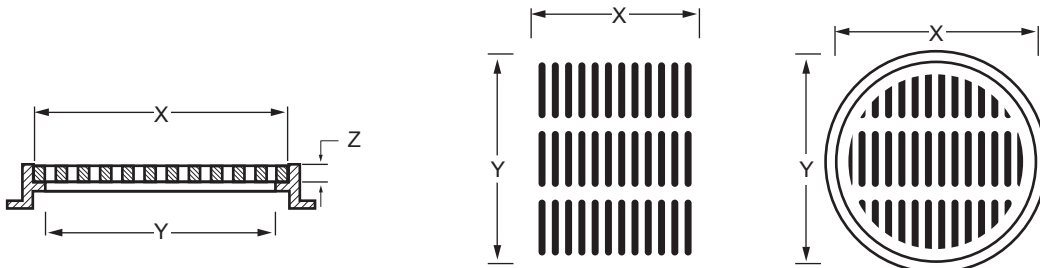
D (Inside Basin Length) _____

E (Inside Basin Width) _____

F (Shortest Basin Clearance) _____

H1 (Inside Lip Height) _____

H2 (Inside Lip Width) _____



Grate Measurements and Characteristics

Bottom: Smooth _____ Ribbed _____ If Ribbed, Provide Drawing Showing Locations of Rib(s)

X-Y (Outside Grate Dimensions) _____ Z (Thickness of Grate) _____

Check one: Concrete _____ Metal _____ | Corners: Square _____ Bent/Crushed _____

Grate: Like New _____ Cracked/Broken _____ | Inside Lip Surfaces Clean: Yes _____ No _____

Ground Around Catch Basin Clean: Yes _____ No _____